

Change of Material of Rubber O-ring

Type of Change:

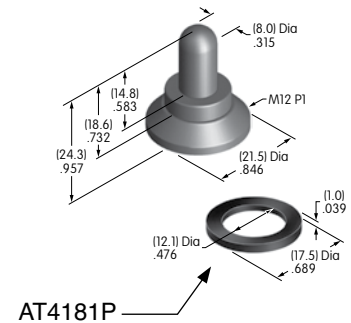
- Engineering Part Number
 Product Appearance



Example

The material of the rubber o-ring (AT4181P) in the Splashproof Boot will change.

See table below for switch series that are compatible with this Boot.



AT4181 consists of three separate parts, AT4181A (Boot), AT401N (Nut) & AT4181P (O-ring)

| Material of Rubber O-ring | |
|---------------------------|--------------|
| Before Change | After Change |
| Natural rubber | NBR |

| Series or Part Numbers | Panel Thickness (Maximum) |
|---|---------------------------|
| <ul style="list-style-type: none"> • M Series B2 Toggles with 12mm B1 & B3 Bushings • P Series B Toggles with 12mm Bushing • S31 ~ 39, S41 ~ 49, S31F ~ 33F, S41F ~ S43F, S31T ~ 33T, S41T ~ 43T • S301 ~ 309, S331 ~ 339, S301F, S331F ~ 333F, S335F, S301T ~ 309T, S331T ~ 339T • S421 ~ 429, S421T ~ 429T | 5.0mm (.197") |
| <ul style="list-style-type: none"> • WT11S ~ 29S, WT11T ~ 29T, WT11L ~ 29L | 3.5mm (.138") |
| <ul style="list-style-type: none"> • S1A ~ 7A, S21A, S1F ~ 7F, S21F • S114, S116 • S1AW ~ 9AW, S21AW, S25AW ~ 29AW | 3.0mm (.118") |

Effective Date

Change will be effective with May 2012 production.