

# General Specifications

### Electrical Capacity (Resistive Load)

**Logic Level:** 0.4VA maximum @ 28V AC/DC maximum  
(Applicable Range 0.1 mA ~ 0.1A @ 20mV ~ 28V)

### Other Ratings

**Contact Resistance:** 80 milliohms maximum  
**Insulation Resistance:** 500 megohms minimum @ 500V DC  
**Dielectric Strength:** 500V AC minimum for 1 minute minimum  
**Mechanical Life:** 40,000 operations minimum  
**Electrical Life:** 40,000 operations minimum  
**Total Travel:** .043" (1.1 mm)

### Materials & Finishes

**Actuator/Plunger:** Glass fiber reinforced polyamide  
**Case:** Glass fiber reinforced polyamide  
**Moveable Contacts:** Beryllium copper  
**Base:** Glass fiber reinforced polyamide  
**Terminals:** Brass with gold plating

### Environmental Data

**Operating Temperature Range:** -40°C through +85°C (-40°F through +185°F)

### Processing

**Soldering:** **Manual Soldering:** 390°C maximum for 4 seconds maximum  
**Reflow Soldering:** Preheat temperature: 180°C ~ 200°C; Preheat time: 120 seconds; Heating temperature: 230°C; Heating time: 60 seconds; Peak temperature (surface): 250°C.  
**Cleaning:** These devices are not process sealed. Hand clean locally using alcohol based solution.  
 Note: After soldering, use caution to prevent mechanical stress on the terminal area and to avoid warpage of the circuit board.

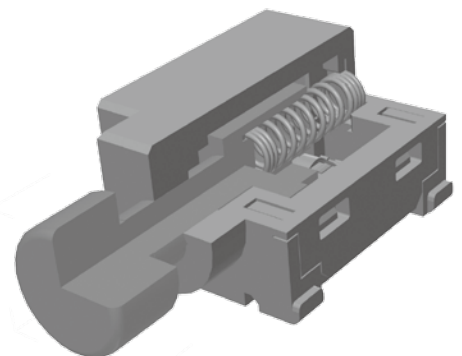
# Distinctive Characteristics

Ultra-miniature size allows high density mounting and utilizes reduced space for surface mounting.

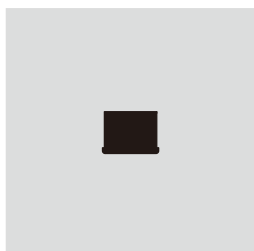
Greaseless condition contributes to resistance of harsh conditions, including wider operating temperatures.

Cap and plunger are one unit, simplifying soldering and cleaning processes and eliminating need to remove and replace the cap. Plunger without cap is an alternate option.

Heat resistant resin used for housing, base and plunger allows vapor phase and infrared convection reflow soldering.



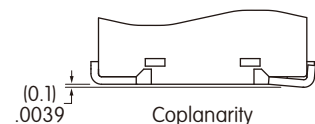
Actual Size



Highly reliable gold plated contacts provide stable contact performance throughout long term use.

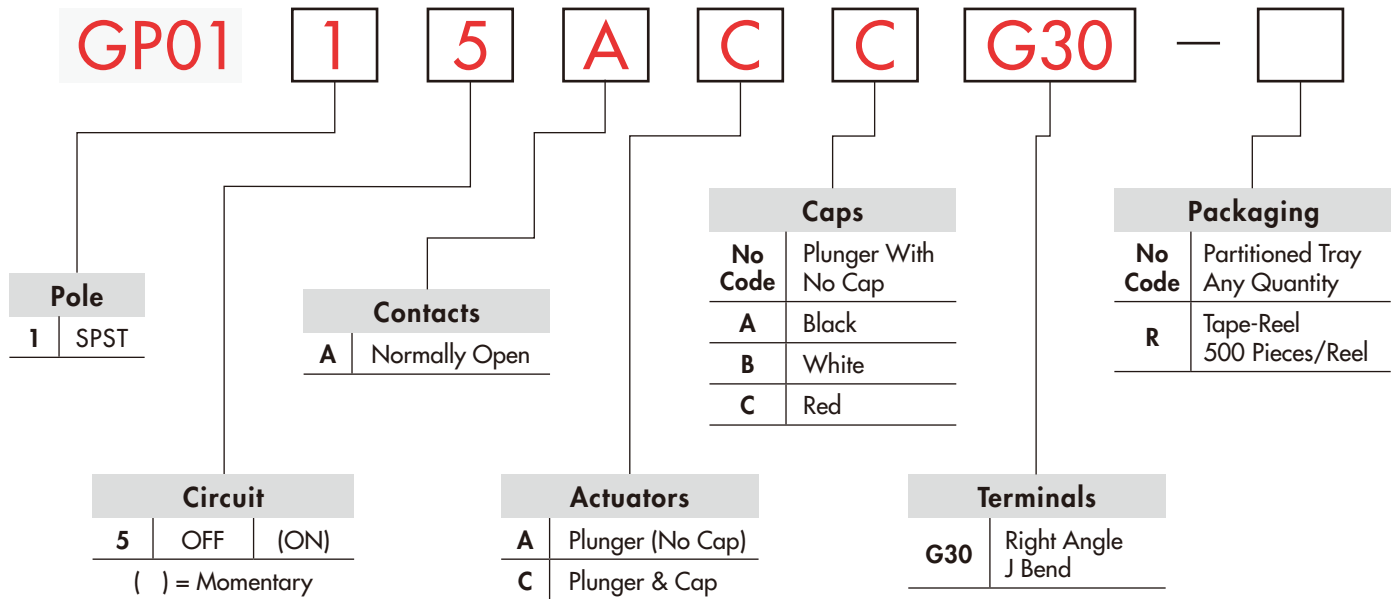
J bend terminals lend to easy surface mounting and mechanical stability during soldering and simplified solder joint inspection.

Remarkably precise coplanarity: all considered surfaces lying between two parallel planes are a maximum distance apart of .0039" (0.1 mm).



Toggles  
Rockers  
Pushbuttons  
Illuminated PB  
Programmable  
Keylocks  
Rotaries  
Slides  
Tactiles  
Tilt  
Touch  
Indicators  
Accessories  
Supplement

TYPICAL SWITCH ORDERING EXAMPLE



Note: Plunger Actuator (Code A) cannot be combined with Cap.

DESCRIPTION FOR TYPICAL ORDERING EXAMPLE

GP0115ACC30

Packaged in Partitioned Tray or Tape-Reel

Plunger & Cap One Unit



SPST OFF-(ON) Circuit

J Bend Terminals

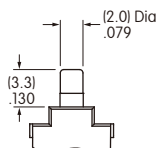
POLE & CIRCUIT

		Plunger Position ( ) = Momentary		Connected Terminals		Throw & Switch Schematic
<b>Pole</b>	<b>Model</b>	<b>Normal</b> 	<b>Down</b> 	<b>Normal</b> 	<b>Down</b> 	Note: Terminal numbers are not actually on the switch.
SP	GP0115AA	OFF	(ON)	OFF	1-2	SPST
<b>Pole</b>	<b>Model</b>	<b>Normal</b> 	<b>Down</b> 	<b>Normal</b> 	<b>Down</b> 	Note: Terminal numbers are not actually on the switch.
SP	GP0115AC	OFF	(ON)	OFF	1-2	SPST

ACTUATORS

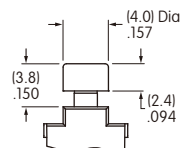
**A** Plunger with No Cap

Plunger cannot be combined with cap



**C** Plunger & Cap

Plunger may be combined with cap codes A, B or C

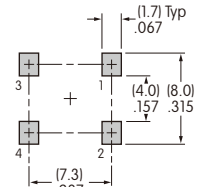
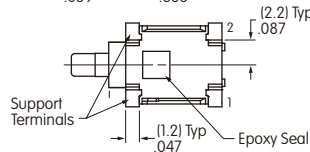
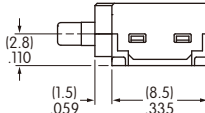
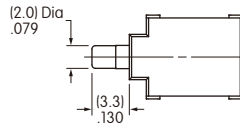
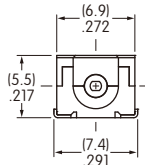


### TYPICAL SWITCH DIMENSIONS

#### Right Angle Mounting

#### Plunger & No Cap

#### Pad Layout

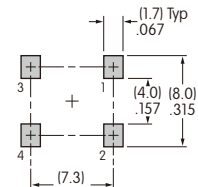
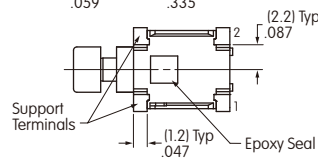
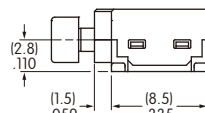
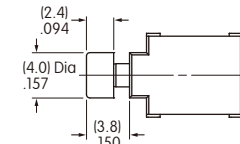
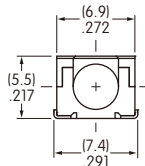
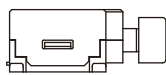


GP0115AAG30

#### Right Angle Mounting

#### Plunger & Cap

#### Pad Layout



GP0115ACCG30

### PACKAGING

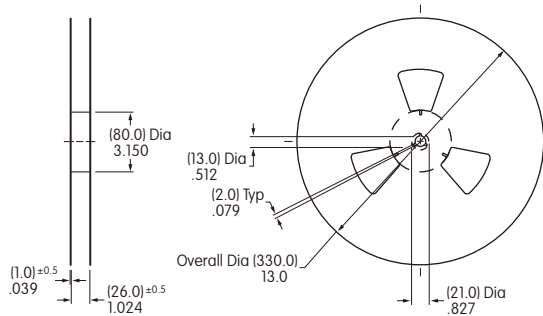
#### Tape-Reel Packaging

**No Code**

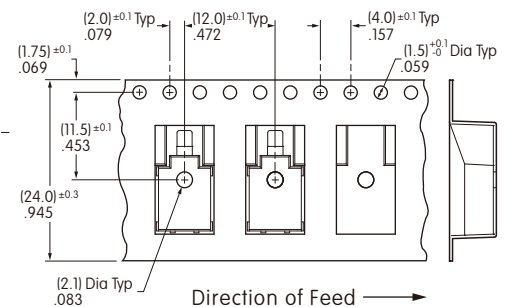
**Partitioned Tray**  
Any quantity, no code required.

**R**

**Tape-Reel**  
Tape-reel contains 500 switches.  
Min. Leader Length: 15.748" (400mm)  
Min. Trailer Length: 6.299" (160mm)



Reel Dimensions



Tape Dimensions

Toggles  
Rockers  
Pushbuttons  
Illuminated PB  
Programmable  
Keylocks  
Rotaries  
Slides  
Tactiles  
Tilt  
Touch  
Indicators  
Accessories  
Supplement

